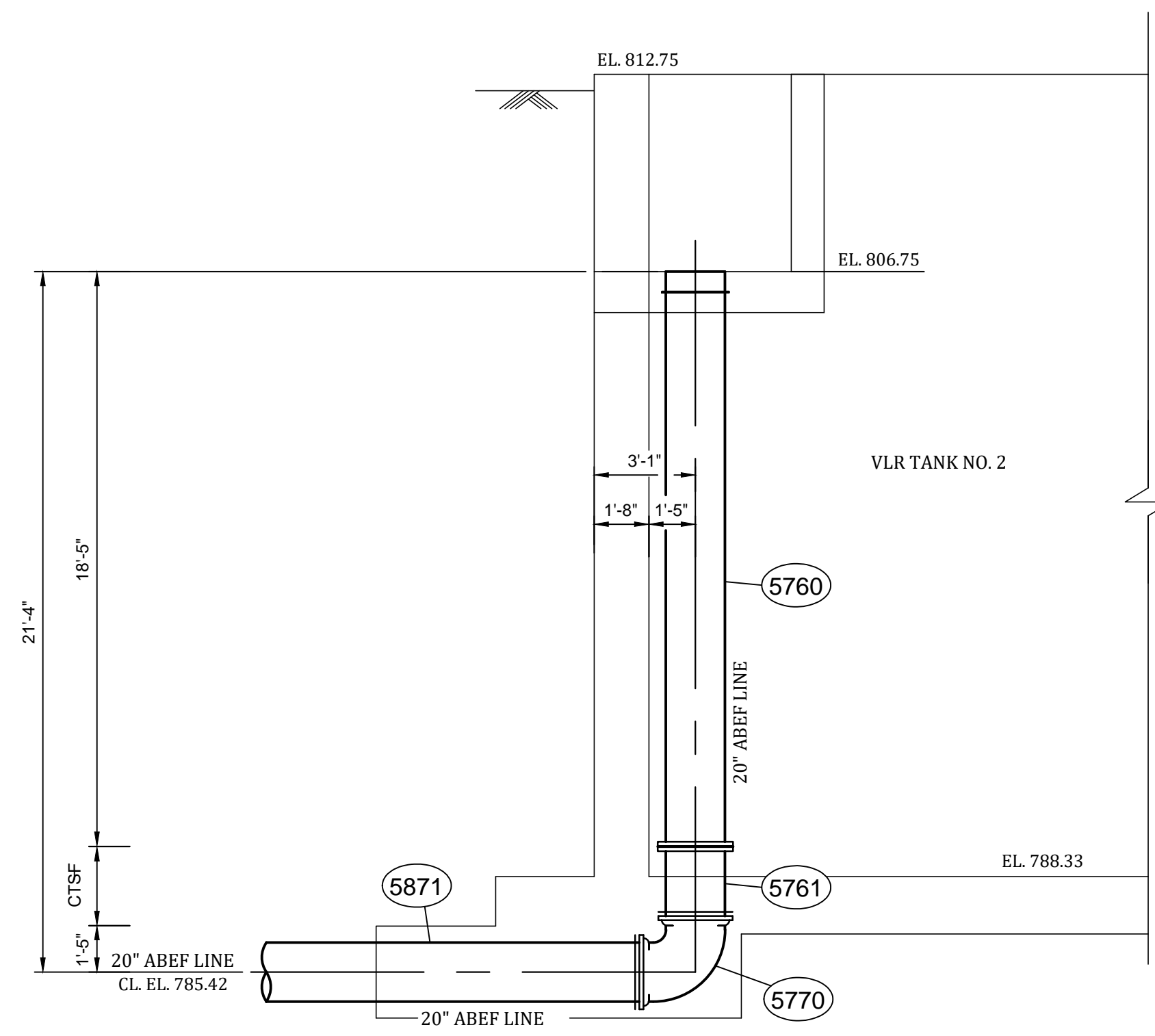
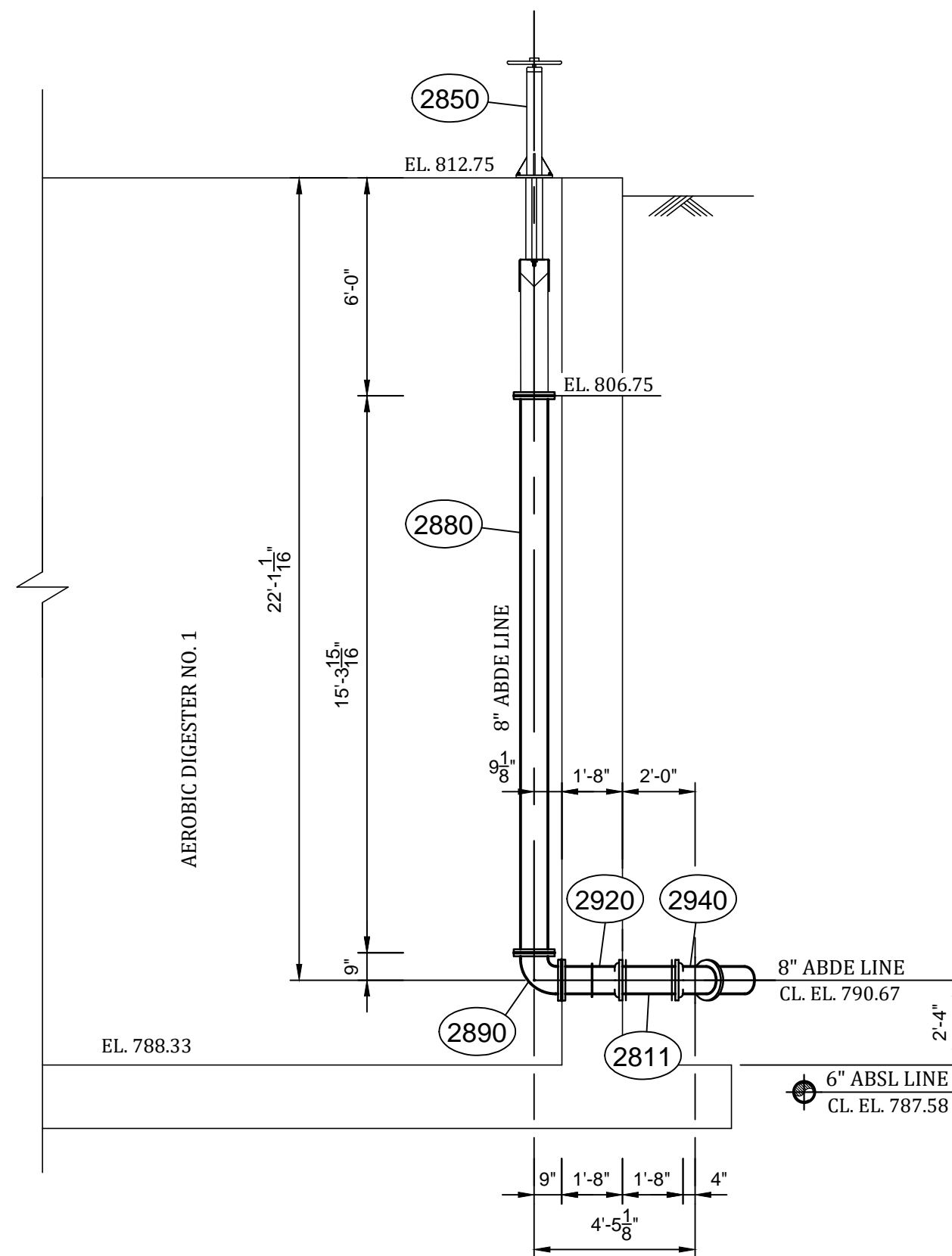


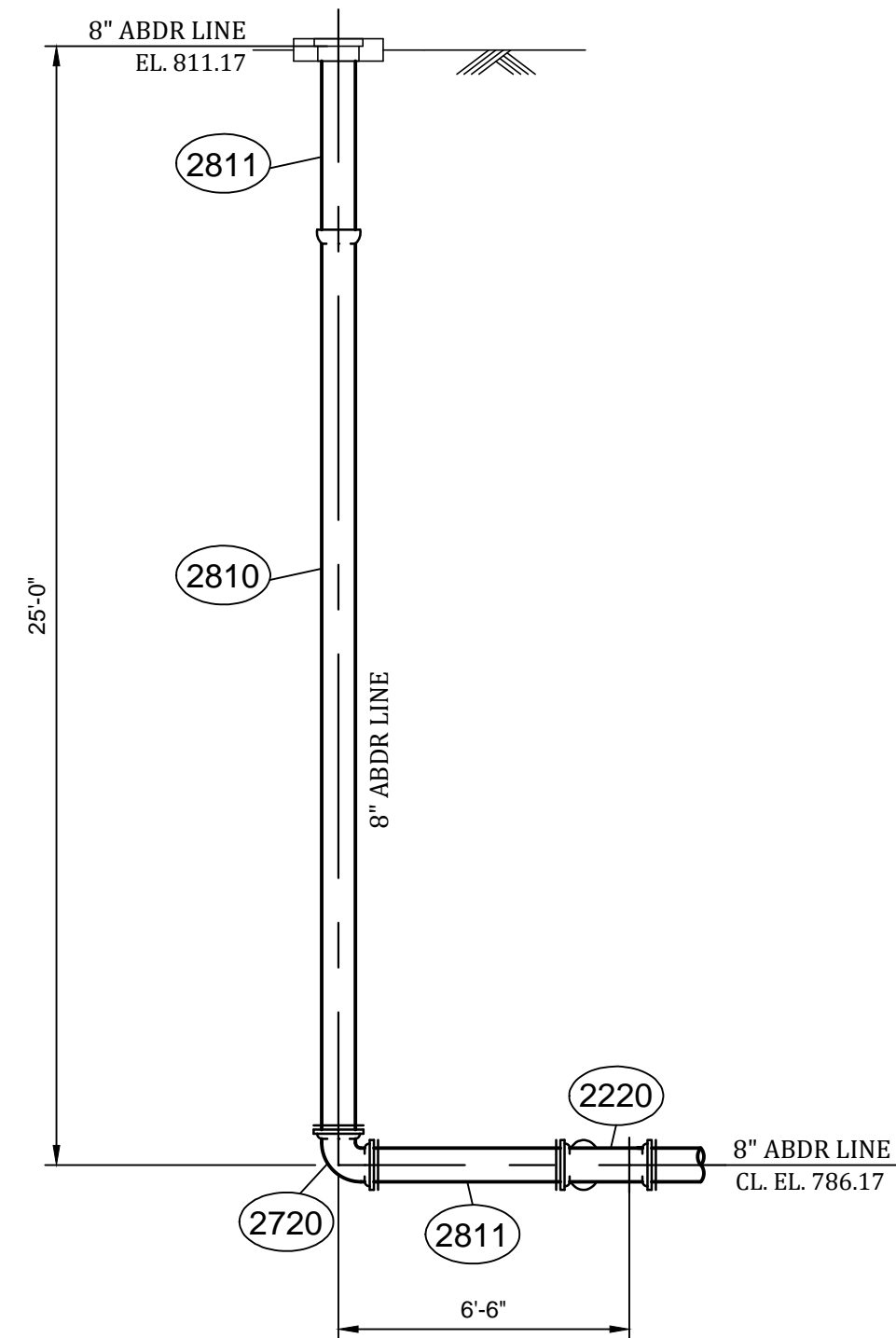
NOTE:  
ALL LENGTHS TO BE VERIFIED PRIOR  
TO ORDER BY CONTRACTOR.



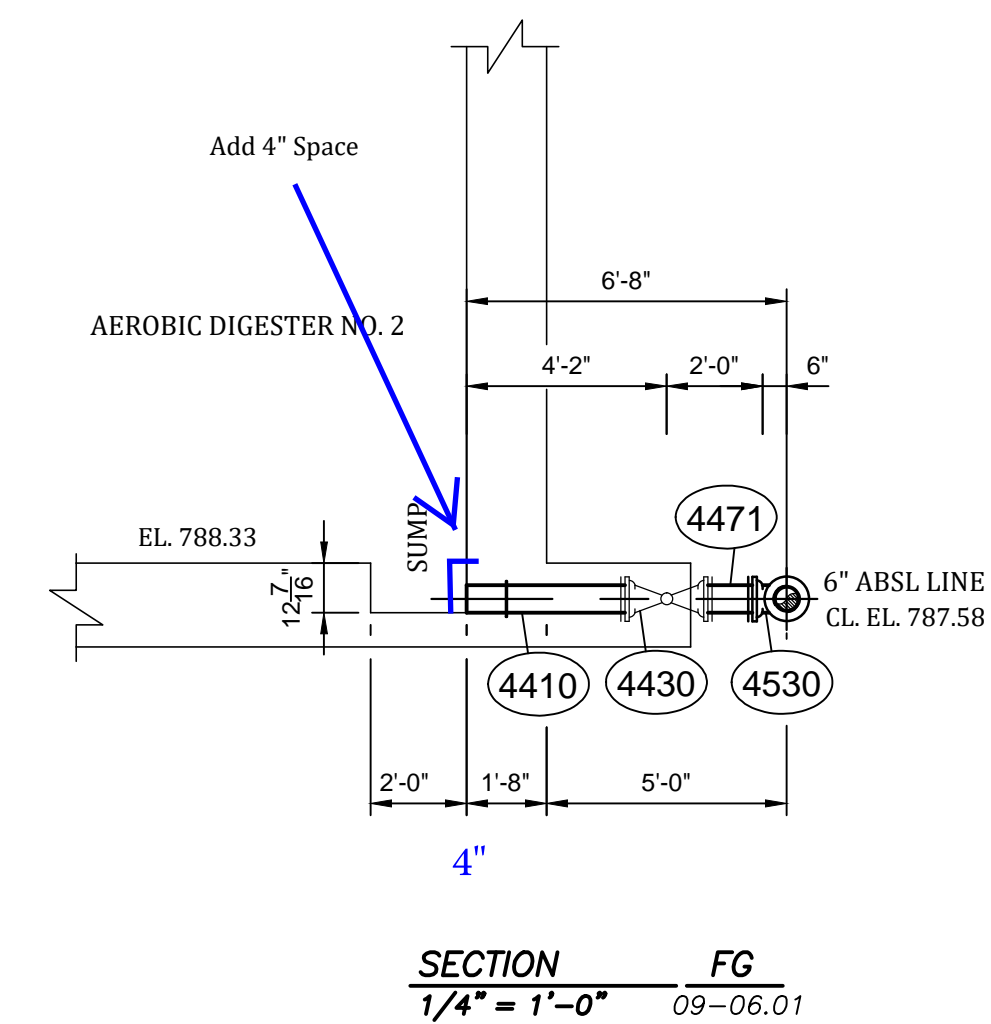
SECTION **FD**  
1/4" = 1'-0" 09-06.01



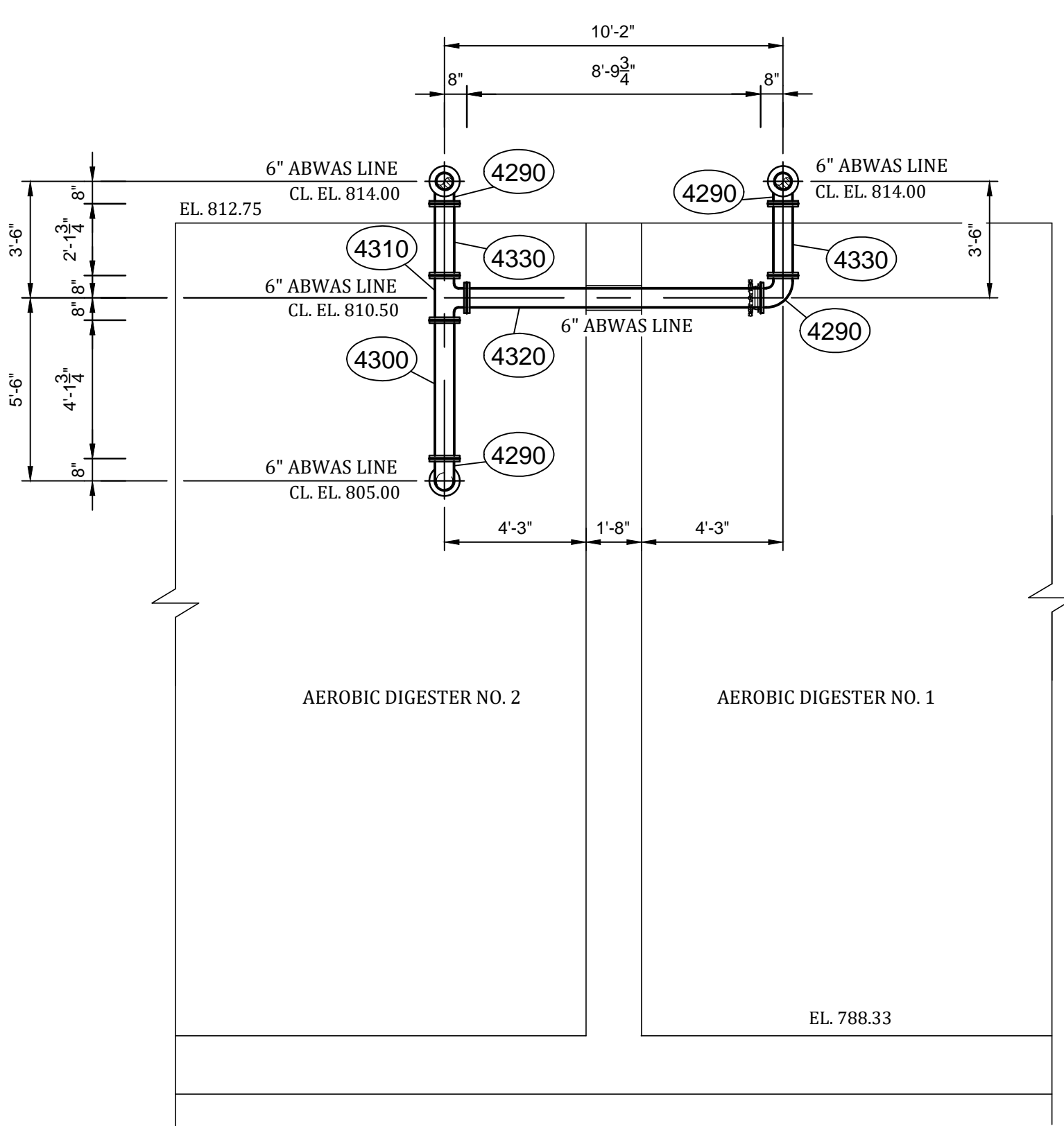
SECTION **FE**  
1/4" = 1'-0" 09-06.01



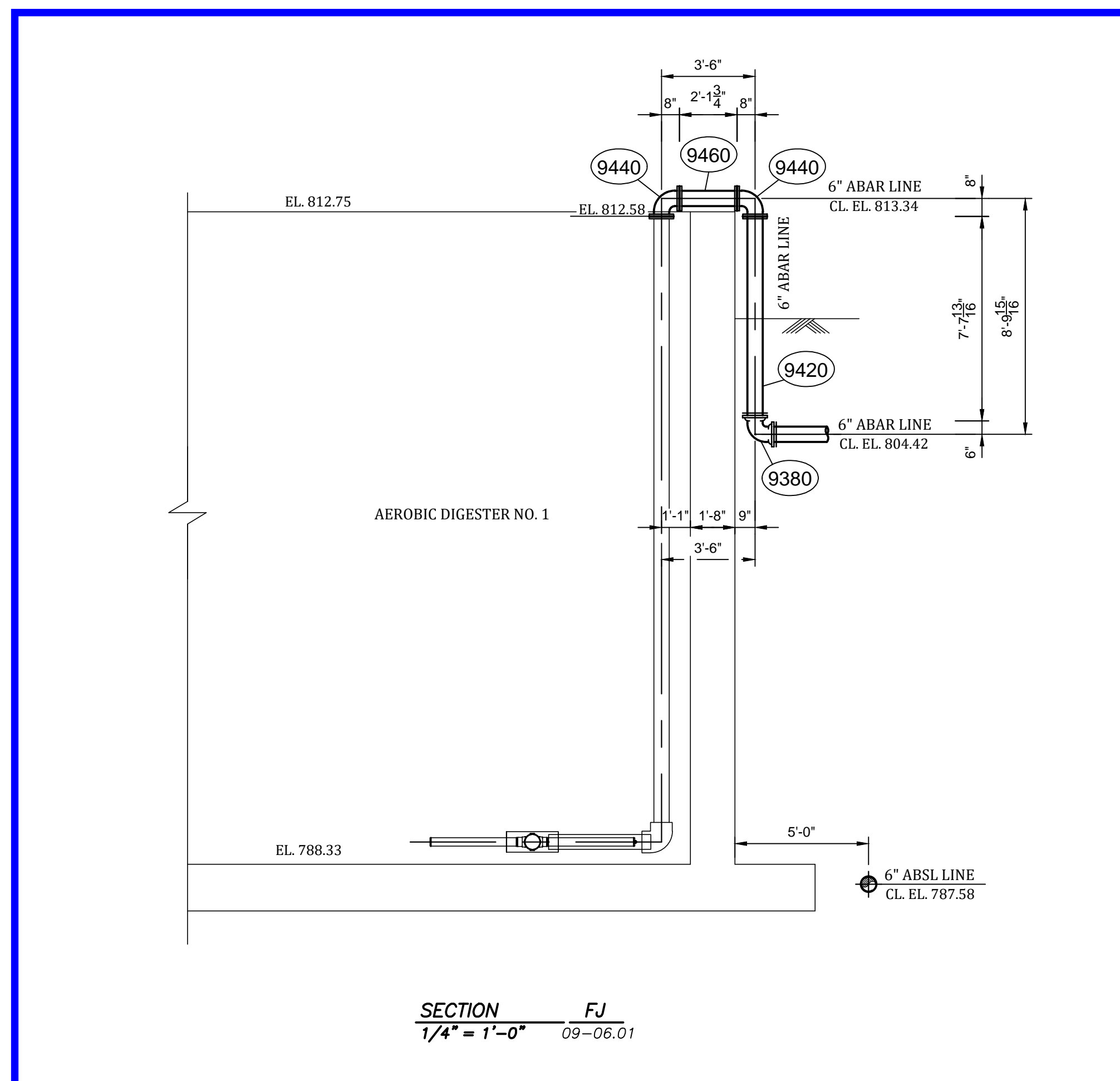
SECTION **FF**  
1/4" = 1'-0" 09-06.01



SECTION **FG**  
1/4" = 1'-0" 09-06.01



SECTION **FH**  
1/4" = 1'-0" 09-06.01



SECTION **FJ**  
1/4" = 1'-0" 09-06.01

\* ASTERISK = ELEVATIONS OR COORDINATES WERE NOT AVAILABLE  
PLEASE FIELD VERIFY & LOCATE  
DIMENSION FOR CTSIF PIPE IS +/- LENGTHS MAY VARY ACCORDING  
TO FIELD LOCATIONS OF FITTINGS ALL OTHER PIPE IS SHOWN PER  
NOMINAL L.L. AS CALLED OUT IN MTRL LIST

- STD ABBREVIATIONS & NOTES LEGEND
- #1 TRBE = TR-FLEX PIPE BELL END
  - #2 TRPE = TR-FLEX PIPE PLAIN END
  - #3 FLG = FLANGE
  - #4 GRV = VICTAULIC GROOVED
  - #5 PE = PLAIN END
  - #6 GA = GAGE PIPE
  - #7 CTSIF = CUT TO SUIT IN FIELD
  - #8 CL = CEMENT LINED
  - #9 EL = CERAMAPURE LINING
  - #10 GL = GLASS LINING
  - #11 P401 = PROTECTO 401
  - #12 UNL = UNLINED
  - #13 P = STANDARD EPOXY PRIMER
  - #14 B = STANDARD BITUMINOUS COATING
  - #15 A = ASPHALTIC SEAL COAT
  - #16 HDG = HOT DIPPED GALVANIZED
  - #17 TFS = TAP FOR STUD
  - #18 GFL = GAUGED FULL LENGTH
  - #19 OAL = OVERALL LENGTH
  - #20 WC = WALL COLLAR
  - #21 Z = ZINC COATING
- CEC, INC. ORIGINAL DWG REFERENCE  
SHEET: 6-M-1 TO 6-M-4

NOTE:

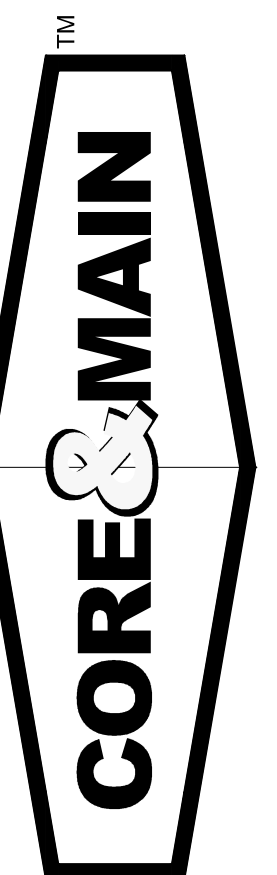
1. THESE DRAWINGS ARE ISSUED FOR APPROVAL. PLEASE REFER TO THE DISCLAIMER LOCATED ON THE TITLE BLOCK FOR FURTHER INFORMATION.
2. ALL LENGTHS TO BE FIELD VERIFIED PRIOR TO ORDER BY CONTRACTOR.
3. CONTRACTOR TO VERIFY ALL SPOOL LENGTHS THAT ARE ASSOCIATED WITH ALL EQUIPMENT. SPOOL LENGTHS ARE BASED ON ENGINEER'S CONFORMED DRAWING LAYOUT AND ACTUAL DIMENSIONS MAY VARY.

MUNICIPALITY: CITY OF JEFFERSON, GA.  
PROJECT: JEFFERSON 1-85 IMDG WRF  
ENGINEER: CIVIL ENGINEERING CONSULTANTS, INC.  
CONTRACTOR: \*\*\*  
LOCATION: JEFFERSON, GA.  
DATE: 02-10-2023  
DRAWN BY: GCS

DATE:

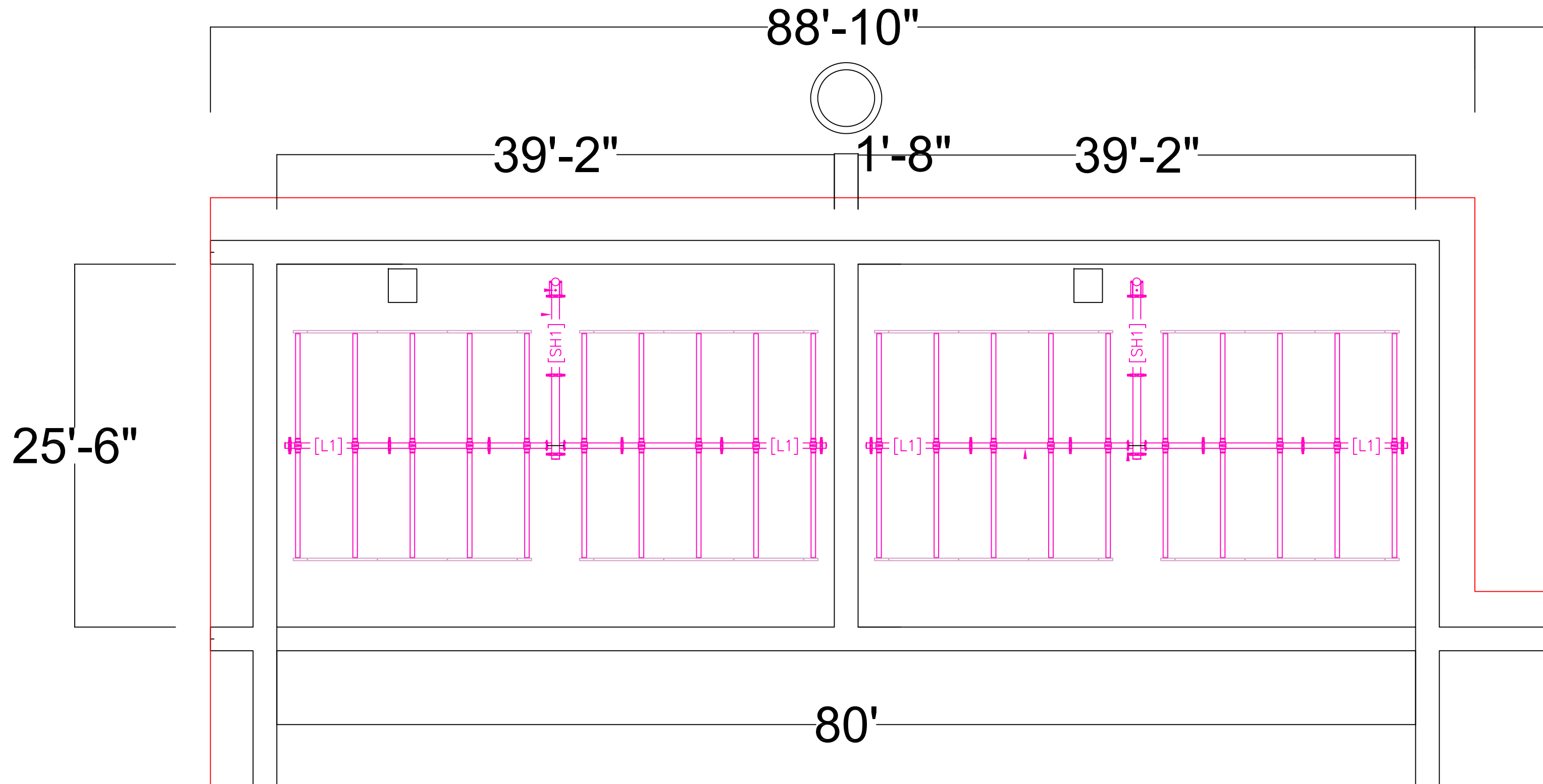
CONTRACTOR'S APPROVAL SIGNATURE:

This illustrative drawing is provided as a guide for the convenience of the client, contractor, engineer, designer, or installer. It is intended as an aid in determining a bill of materials to create an accurate order. It is not meant to be and shall not be considered a design or the installation, methods of installation or construction. Responsibility for the accuracy of dimensions and practicality of installation or design is the responsibility of the engineer, designer, or installer. The contractor releases Core & Main, from liability for any claims that arise out of inaccuracy or plans. This drawing, and materials prepared by others, are approved, signed, and returned to Core & Main, prior to the release of materials from Core & Main. It is understood that the layout may be modified in the field and that varying field conditions may result in a different installation than indicated on this illustrative drawing. Approval of this illustrative drawing by the installation contractor indicates that the contractor has reviewed the illustrative drawing and approves the content, form, and practicality of installation.



DATE: 02-21-2023  
SHEET No.  
DWG # 12-06.04

APPROVED BY  
LAKESHORE ENGINEERING  
ISSUED FOR FIELD USE  
2.21.23



ITEM	TYPE	DETAIL
DIFFUSER	FLEXAIR 84P-4 MAGNUM	128093
PURGE	MANUAL	162689
TRANSITION CONNECTION	COUPLING CLAMP	25945
LATERAL CONNECTOR	15# S.S. FLANGE	113883
DROP BRACE	SIMPLE SUPPORT	143312
SUBHEADER SUPPORT	RIGID/SIMPLE SUPPORT	143301/143312
LATERAL SUPPORT	SIMPLE SUPPORT	143312
END CAP	REMOVABLE	30194

ITEM	MATERIAL
TOP OF DROP	6" 150# FLANGE
DROP	6" SCH10 304L S.S.
SUBHEADER	6" SCH10 304L S.S.
LATERAL	4" SCH10 304L S.S.
SUPPORT	304 S.S.
ANCHOR	3/8" 304 S.S.

	# OF DIFFUSERS
TOTAL	20

REVISION HISTORY			
REV	DESCRIPTION	DATE	APPROVED
A	INITIAL RELEASE	7/8/22	TEM

Contractor note modified  
diffuser layout

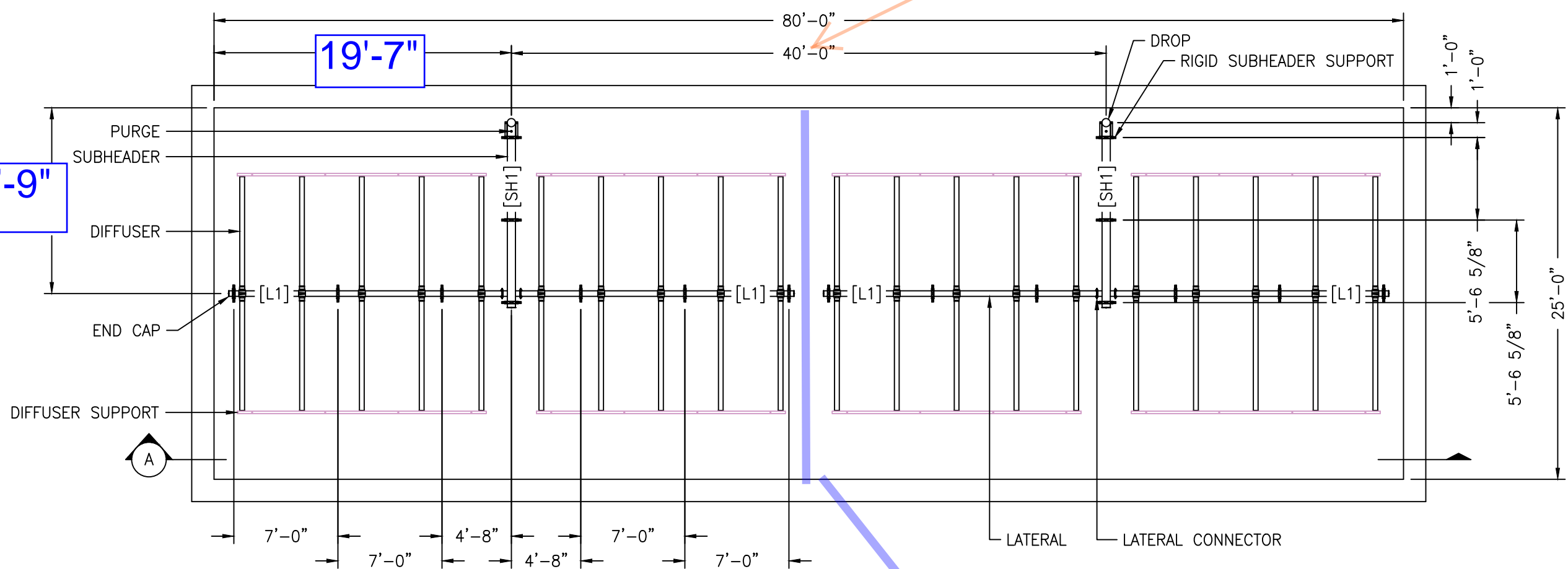
40'-10"

19'-7"

12'-9"

25'-6"

Wall



READ INSTALLATION INSTRUCTIONS PRIOR TO INSTALLING SYSTEM  
NOTE: CONTRACTOR TO CONFIRM EDI LAYOUT IS SUITABLE FOR INSTALLATION AND WILL NOT CONFLICT WITH OTHER PROCESS PIPING AND/OR STRUCTURAL COMPONENTS.

- SUPPORT INSTALLATION NOTES:
- PIPE SUPPORTS SHOULD BE PLACED AS SHOWN.
  - SUPPORT DIMENSIONS SHOWN FOR REFERENCE. FIELD CONFIRM PRIOR TO DRILLING ANCHORS. TOLERANCE: ±3"
  - FOR MAXIMUM PIPE SUPPORT SPACING REFERENCE PIPE SUPPORT SCHEDULE.
  - CANTILEVERED DIFFUSERS ALLOWED ONLY AS SHOWN ON PROJECT PLAN DRAWINGS.

PIPE SUPPORT SCHEDULE		
LOCATION	TYPE	MAX. DIST. BETWEEN SUPPORTS
SUBHEADER	RIGID	PLACE NEXT TO DROP AS SHOWN STABILIZERS POINTED TOWARD DROP
SUBHEADER	SIMPLE	7'-0"
LATERAL	SIMPLE	7'-0"

- GENERAL NOTES:
- LIQUID DEPTH IS 21.5 FT.  
DIFFUSER DEPTH IS 20.5 FT.
  - 1 OF 1 BASINS SHOWN.

PROJECT NAME				JEFFERSON, GA			
PROJECT DESCRIPTION				AEROBIC DIGESTER - LAYOUT			
ED I FLEXAIR® AERATION-MIXING SYSTEM							
FOR:	BY:	DATE:	SCALE:	FOR:	BY:	DATE:	SCALE:
TEM	KPR	7/7/2022	1/8"=1'-0"				
Environmental Dynamics International		wastewater.com		P: +1 573 474 9456 F: +1 573 474 6988		5601 Paris Road Columbia, MO 65202	
PROJECT NUMBER		SHEET NUMBER		DWG NUMBER			
38117		1 OF 2		167053			